

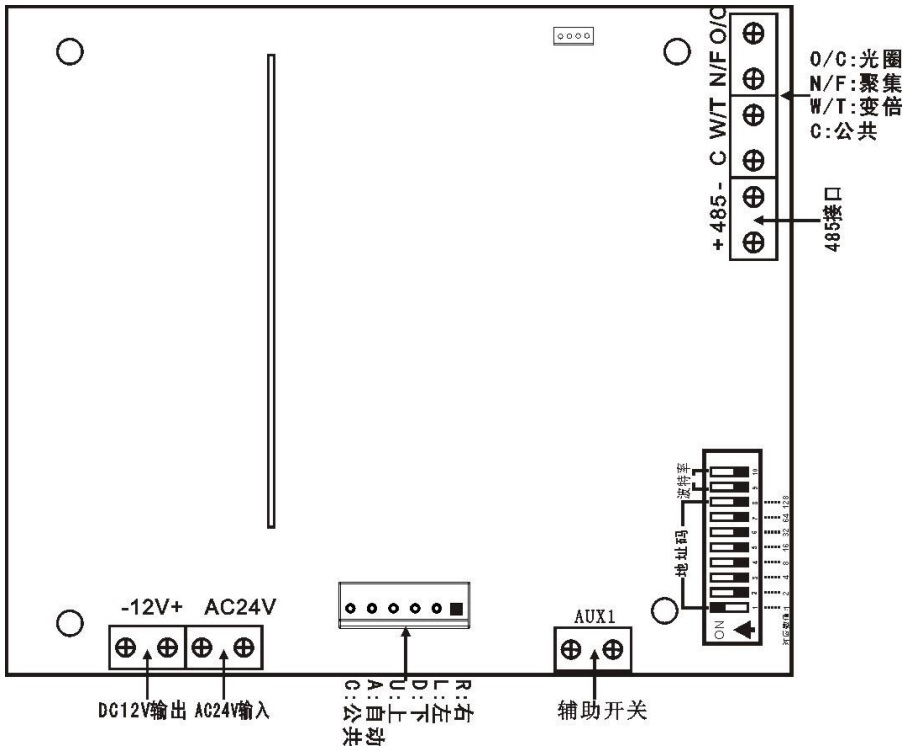
MA6828 Decoder instruction

一. Technical Parameters:

Input voltage	AC24V/±10%
Power consumption	Floating Voltage<100mA
Communication Modes	RS-485
Communication Protocol	PELCO-D/P Automatic Recognition
Address	256 addresses
Baud Rate	Can set to 2400、4800、9600\19200
Switching	1set (Can be used in wipers and light)
Contact Mode	Open
Lens	Integrated Machine、High speed ball cam movement
Outside Size	80mm×90mm
Location Hole Size	70mm×70mm
Applicable Humidity	10%~70%RH
Applicable Temperature	-10℃~50℃

二. Connecting instruction:

AC24V	Input AC24V
-12V+	DC12V Output
AUX1	Switching 10output
485+	485Communication “A” Or connect to TX+
485-	485Communication “B” Or connect to TX-
O/C	Correspond to lens aperture
N/F	Correspond to lens focus
W/T	Correspond to lens change
C	Correspond to lens common port COM



三. Settings of address, protocol, bard rate

1. Ten as a union /dial switch 1-10.
2. 1-8 :Address setting. 9-10: Baud rate setting.
3. The decoder can recognize PELCO-D, PELCO-P protocols, no setting needs.
4. Conversion Methods of address (code)

A. Dial-Up: On stands for 1 / Dial-Down: Off stands for 0

Digital expression	A	B	C	D	E	F	G	H
Dial Switch number	1	2	3	4	5	6	7	8
Stand for	1	2	4	8	16	32	64	128

B. : To count the address data with mathematical expression

Suppose one machine' s address switch dial-Up, it means address data :255

address data =A+B+C+D+E+F+G+H=1+2+4+8+16+32+64+128=255

This decoder's factory setting :1 dial up,2-8: down

Represent address:

Address data=1+0+0+0+0+0+0+0=1





- Address Code settings check list

Addr ess	Switch settings	Addre ss	Switch settings	Addr ess	Switch settings
	12345678		12345678		12345678
0	00000000	1	10000000	2	01000000
3	11000000	4	00100000	5	10100000
6	01100000	7	11100000	8	00010000
9	10010000	10	01010000	11	11010000
12	00110000	13	10110000	14	01110000
15	11110000	16	00001000	17	10001000
18	01001000	19	11001000	20	00101000

21	10101000	22	01101000	23	11101000
24	00011000	25	10011000	26	01011000
27	11011000	28	00111000	29	10111000
30	01111000	31	11111000	32	00000100
33	10000100	34	01000100	35	11000100
36	00100100	37	10100100	38	01100100
39	11100100	40	00010100	41	10010100
42	01010100	43	11010100	44	00110100
45	10110100	46	01110100	47	11110100
48	00001100	49	10001100	50	01001100
51	11001100	52	00101100	53	10101100
54	01101100	55	11101100	56	00011100
57	10011100	58	01011100	59	11011100
60	00111100	61	10111100	62	01111100
63	11111100	64	00000010	65	10000010
66	01000010	67	11000010	68	00100010
128	00000001	129	10000001	130	01000001
131	11000001	132	00100001	133	10100001
253	10111111	254	01111111	255	11111111

●

● Baud rate settings: (9, 10 in dial decades)

Dial code switch location	Baud Rate	Dial code switch location	Baud Rate
9 10		9 10	
	2400		4800
	9600		19200

●

四. Communication connecting instruction:

This decoder uses RS485 communication method, “A” and “B” as signal port, “A” connect with RS485 device’ s positive terminal, “B” connect with RS485 device’ s Negative terminal.

Standard RS485 equipment is connected with the decoder by two core shielded twisted cable , the longest distance of the cable connection is not more than 1200 meters. When multiple decoding boards are connected, There should be a 120 ohm matching resistor between RS485 ’ s A ,B of the most far away decoder, and the RS485 converter is strongly recommended when the line is too long. Special reminder: when the communication line is set up, it should be possible to avoid the high voltage line or other possible sources of interference.

